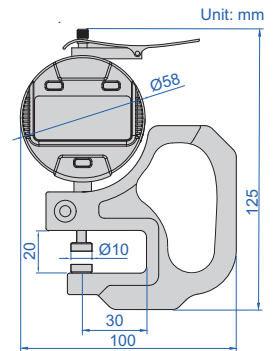


POPULAR MODEL

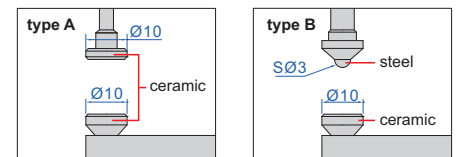
DATA OUTPUT

## DIGITAL THICKNESS GAUGES

- Button function: on/off, inch/mm, zero, data preset, change measuring direction, absolute/incremental measurement
- Keep preset data in memory after restart
- CR2032 battery, automatic power off (time is adjustable)
- Data output
- Optional accessory:  
wireless transmitter code **7315-50M** (receiver is needed) page 6,  
bluetooth transmitter code **7214-50M** page 12,  
data output cable code **7302-50M** page 21

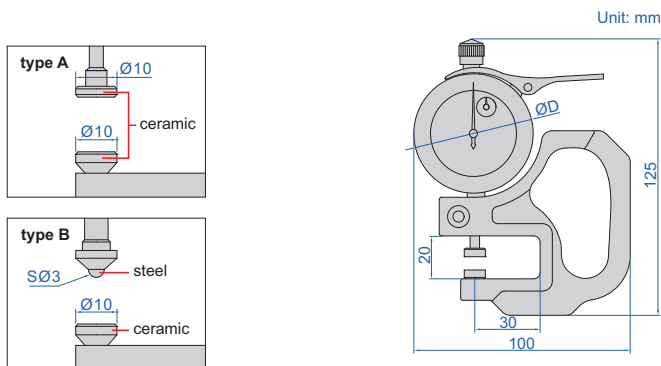


2871-101



Code	Range	Resolution	Accuracy	Type
2871-10	0-10mm/0-0.4"	0.01mm/0.0005"	$\pm 0.02$ mm	A
2871-101	0-10mm/0-0.4"	0.001mm/0.00005"	$\pm 0.005$ mm	A
2871-10B	0-10mm/0-0.4"	0.01mm/0.0005"	$\pm 0.02$ mm	B
2871-101B	0-10mm/0-0.4"	0.001mm/0.00005"	$\pm 0.005$ mm	B

## THICKNESS GAUGES



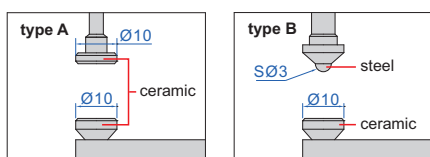
2364-10



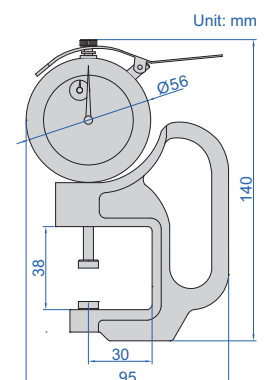
2364-1

Code	Range	Graduation	Accuracy	Type	$\varnothing D$
2364-10	0-10mm	0.01mm	$\pm 0.02$ mm	A	58mm
2364-10B	0-10mm	0.01mm	$\pm 0.02$ mm	B	58mm
2364-1	0-1mm	0.001mm	$\pm 0.005$ mm	A	56mm

## THICKNESS GAUGES

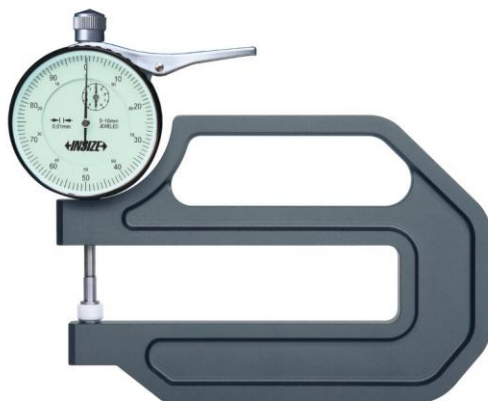
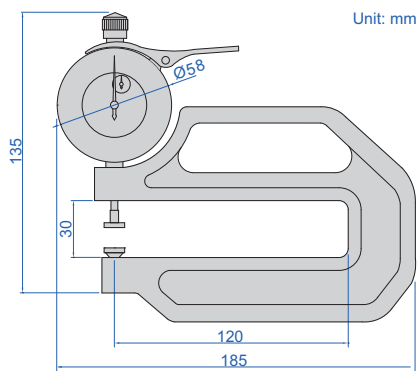
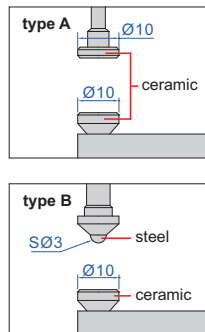


2366-30



Code	Range	Graduation	Accuracy	Type
2366-30	0-30mm	0.01mm	$\pm 0.035$ mm	A
2366-30B	0-30mm	0.01mm	$\pm 0.035$ mm	B

THICKNESS GAUGES



2365-10

measuring tips and anvils can be custom-made



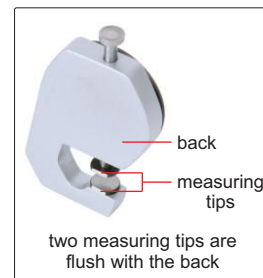
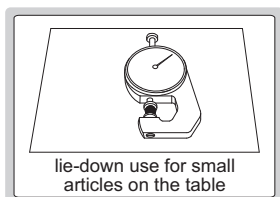
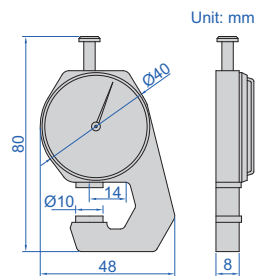
Code	Range	Graduation	Accuracy	Type
2365-10	0-10mm	0.01mm	$\pm 0.02\text{mm}$	A
2365-20	0-20mm	0.01mm	$\pm 0.03\text{mm}$	A
2365-10B	0-10mm	0.01mm	$\pm 0.02\text{mm}$	B
2365-20B	0-20mm	0.01mm	$\pm 0.03\text{mm}$	B

SUITABLE FOR JEWELLERY

THICKNESS GAUGE



2361-10



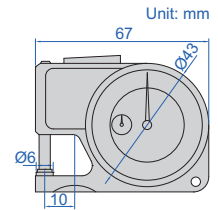
Code	Range	Graduation	Accuracy
2361-10	0-10mm	0.1mm	$\pm 0.05\text{mm}$

## THICKNESS GAUGE

- Stainless steel spindle tip and anvil



2363-10



Code	Range	Graduation	Accuracy
2363-10	0-10mm	0.01mm	±0.03mm

## DIGITAL ROLLER THICKNESS GAUGES

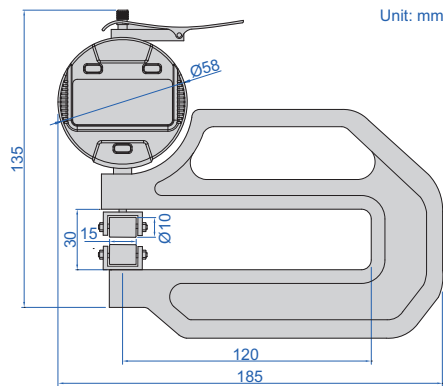
DATA OUTPUT



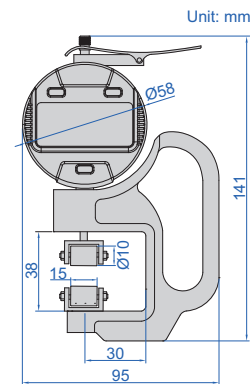
2877-4



2877-10



2877-4/2877-41

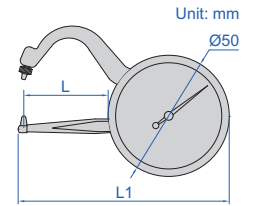
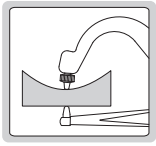


2877-10/2877-101

- Buttons: on/off, inch/mm, zero, data preset, change measuring direction, absolute/incremental measurement
- Keep preset data in memory after restart
- Battery CR2032, automatic power off (time is adjustable)
- Data output
- Optional accessory:
  - wireless transmitter code **7315-50M** (receiver is needed) page 6,
  - bluetooth transmitter code **7214-50M** page 12,
  - data output cable code **7302-50M** page 21

Code	Range	Resolution	Accuracy
2877-4	0-3.5mm/0-0.14"	0.01mm/0.0005"	±0.02mm
2877-41	0-3.5mm/0-0.14"	0.001mm/0.00005"	±0.01mm
2877-10	0-10mm/0-0.4"	0.01mm/0.0005"	±0.02mm
2877-101	0-10mm/0-0.4"	0.001mm/0.00005"	±0.01mm

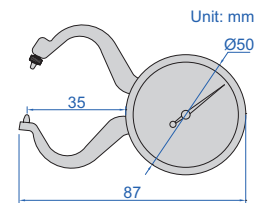
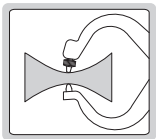
## THICKNESS GAUGES



2862-101

Code	Range	Graduation	Accuracy	L	L1
2862-101	0-10mm	0.05mm	±0.1mm	35mm	85mm
2862-102	0-10mm	0.05mm	±0.1mm	60mm	110mm

## THICKNESS GAUGE

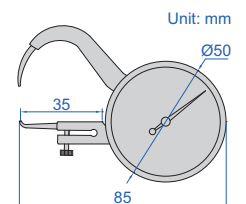
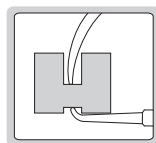


2863-10

Code	Range	Graduation	Accuracy
2863-10	0-10mm	0.05mm	±0.1mm

## THICKNESS GAUGE WITH POINTED TIPS

- Pointed tips fit into small grooves and recesses



2866-10

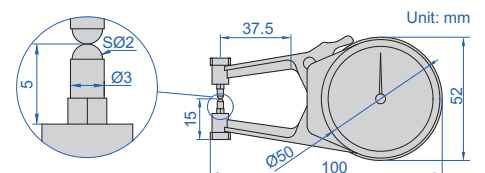
Code	Range	Graduation	Accuracy
2866-10	0-10mm	0.05mm	±0.1mm

## THICKNESS GAUGE

- Main body is made of hard plastic



2870-10



Code	Range	Graduation	Accuracy
2870-10	0-10mm	0.1mm	±0.1mm

DATA  
OUTPUT

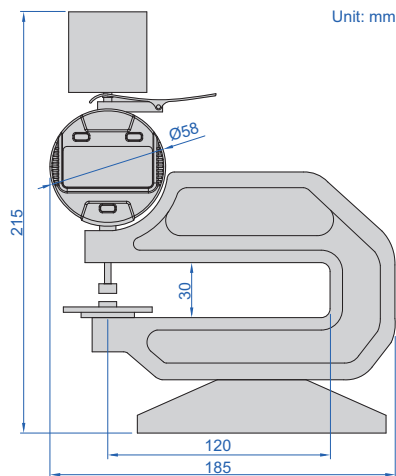


VIDEO



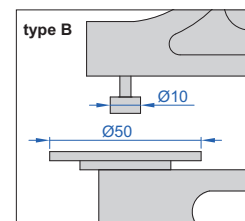
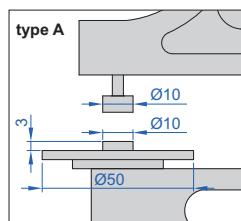
2262-10

## DIGITAL LEATHER THICKNESS GAUGES



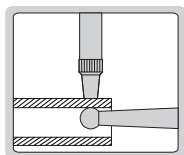
Unit: mm

- Measure thickness of leather
- Buttons: on/off, inch/mm, zero, data preset, change measuring direction, absolute/incremental measurement
- Keep preset data in memory after restart
- Battery CR2032, automatic power off (time is adjustable)
- Data output
- Optional accessory:
  - wireless transmitter code **7315-50M** (receiver is needed) page 6,
  - bluetooth transmitter code **7214-50M** page 12,
  - data output cable code **7302-50M** page 21



Code	Range	Resolution	Accuracy	Type
2262-10	0-10mm/0-0.4"	0.01mm/0.0005"	±0.02mm	A
2262-10B	0-10mm/0-0.4"	0.01mm/0.0005"	±0.02mm	B

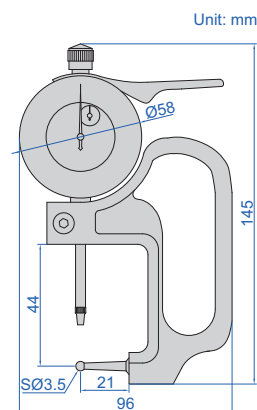
## TUBE THICKNESS GAUGE



- Measure tube wall thickness



2367-10A



Unit: mm

Code	Range	Graduation	Accuracy
2367-10A	0-10mm	0.01mm	±0.02mm